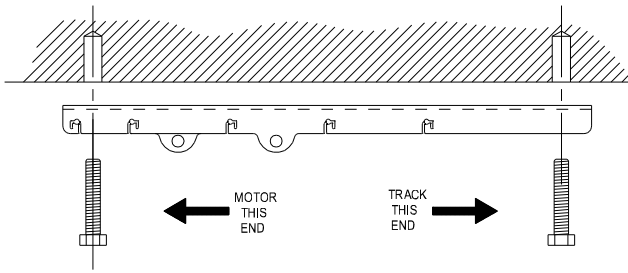


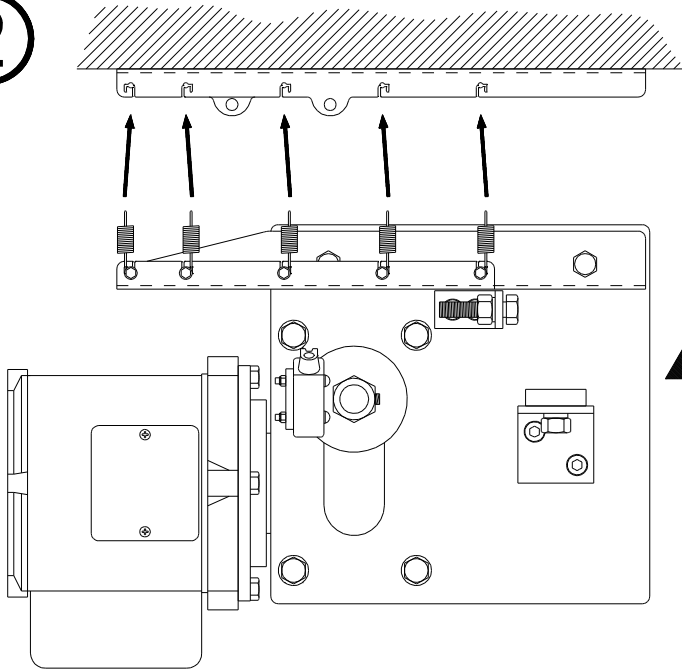
# SECTIONAL DOOR OPERATOR INSTALLATION

1

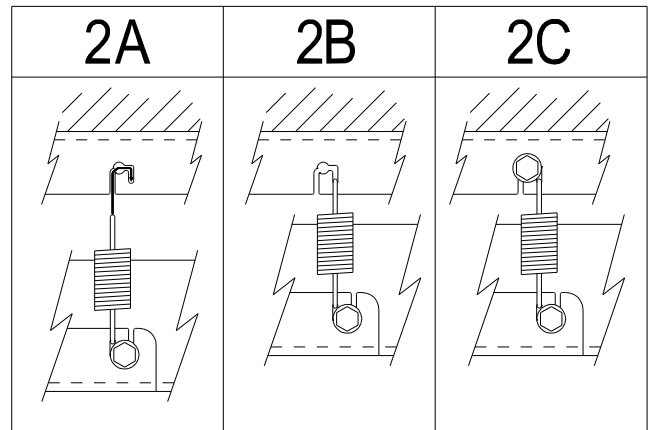


- FIT THE TOP PLATE TO CEILING THROUGH THE FOUR MOUNTING HOLES ->

2



- RAISE THE OPERATOR
- HOOK THE SPRING LOOPS THROUGH THE SLOT AS SHOWN IN 2A
- THE SPRING LOOP SHOULD SIT IN THE SLOT AS SHOWN IN 2B
- DRILL A TAP TITE INTO THE HOLE TO SECURE AS SHOWN IN 2C



3

