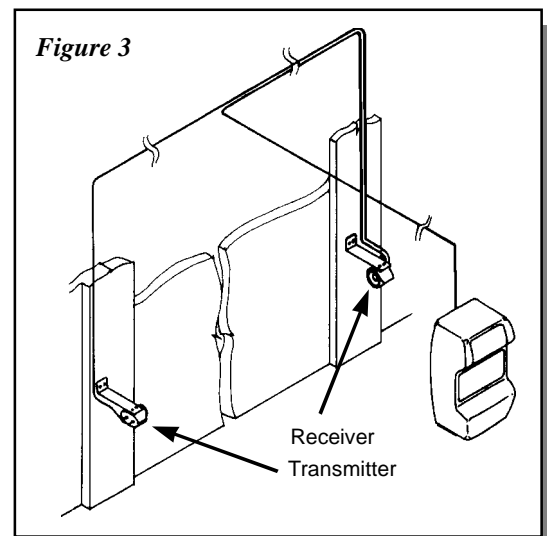
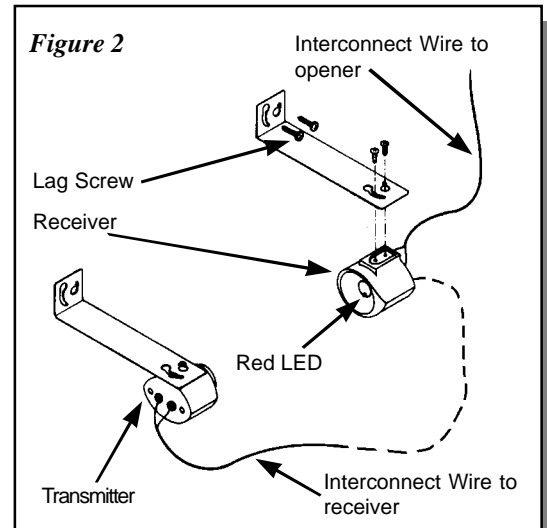
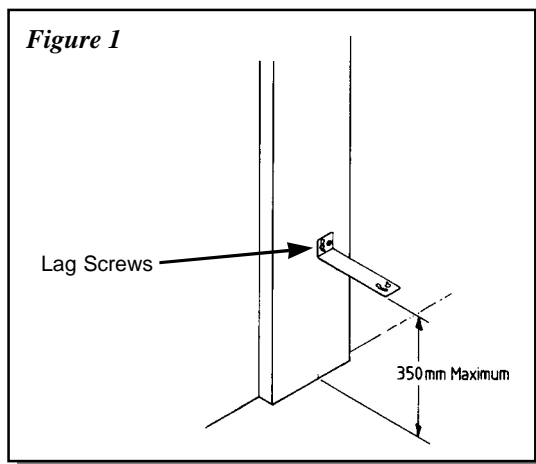


INSTALLATION INSTRUCTIONS

PHOTO EYE INSTRUCTIONS (PE4)

INSTALLATION

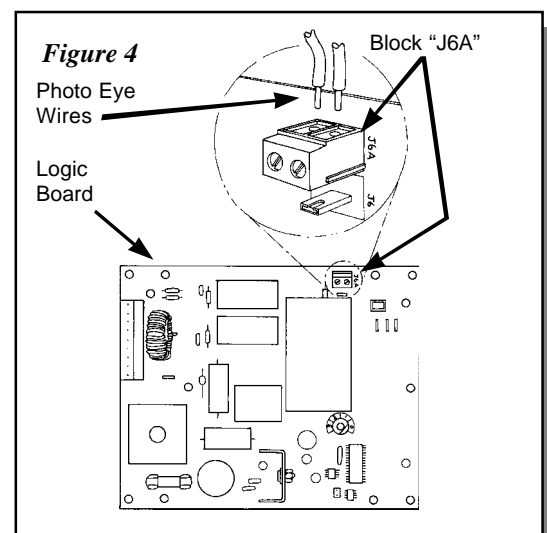
1. Mark the position of the photo eye as follows: Mark a line on the left and right doorjamb (as close as possible to the door track) 350mm above the floor. (ref figure 1)
2. Mount the L brackets and the photo eyes as per figure 2 with the screws provided.
3. Connect wire provided to the transmitter photo eye (only 1 green LED on the back of the unit ref figure 3)
4. Run the wire up and around the garage doorjamb and connect this to the receiver photo eye (red LED on front as well as a green LED on back).
5. Run a second cable from the receiver photo eye to the garage door operator.



CONNECTING

Roller Door Operator

- » Turn power off to unit.
- » Remove the light lens.
- » Locate and remove the 2 screw under the light lens.
- » Remove the 2 screws holding the logic board and turn it over.
- » Remove the jumper "J6" and connect the photo eye wires into the chocolate block "J6A".



CONNECTING CONTINUED

Overhead Door Operators

- » Turn power off to unit
- » Cut plug of the photo eye cable and strip 6mm of the wires
- » Connect to terminals 1 & 2 located on the back of the operator (ref figure 6)
- » Locate slide switch on the back of the operator
- » Switch slide switch to “IR” (ref Figure 5)

Figure 5

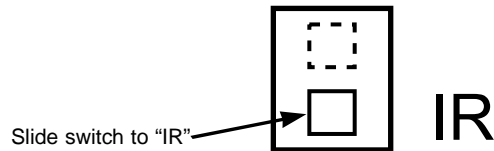
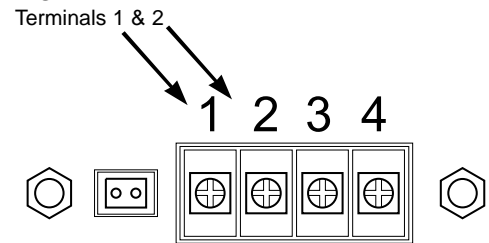


Figure 6



ALIGNMENT AND FINAL TESTING

- 1 Connect the power to the operator. Keep transmitter with you.
- 2 Loosen the screws on the transmitter unit and adjust to be parallel with the door. Tighten the screw enough to temporarily hold the unit in place.
- 3 Loosen the screw on the receiver unit and turn the receiver unit until the red LED lights up. The photo eyes are now aligned.
- 4 Place your hand or a solid object 300mm in front of either photo eye. The red LED should go off and remain off until the object is removed.

NOTE: *There may be a slight delay in returning to normal depending upon how long the photo eye system was blocked.*

5. Turn power onto unit. As the door travels down place your hand in front of the photo eye, the door will stop and go back up.

TROUBLE SHOOTING

When the door is up it will not come down

Unplug the photo eye cable and replace the jumper (roller door) or slide switch (overhead operator). If the door then comes down there is a possible fault with the following:

- » Photo eyes not in alignment (ref Alignment and final testing)
- » Break in the photo eye cable

Door doesn't reverse when beams are broken

- » *Jumper not removed (Roller Door) Slide Switch not on IR (Overhead)*