

CHAMBERLAIN®

GRIFCO®

Get serious. Get a Grifco.

eDrive™

RKML4051 RKML4053

Light Commercial Rolling Door Opener Kits

When you are serious about opening light commercial rolling doors the Grifco *eDrive*™ RKML kit is the perfect choice.

Designed specifically as a ready to install kit for spring balanced light commercial rolling doors up to 28m².

eDrive™ FEATURES:

- Chamberlain's advanced Absolute Position Encoder (APE)
- Auto-reset thermal protection
- Mechanically interlocked contactors
- Provision for advanced diagnostic modes through the optional Hand Held Diagnostic Tool (HHDT)
- Universal Main Control Board (MCB) suits all *eDrive*™ and previous Maestro openers (conversion kit required)
- Bolt down MCB transformer (no solder joints)
- Auto learn for Chamberlain *monitored* IR beams
- Adjustable door behaviour configuration
- ACEM Detect for operator safety
- Optional pre-wired leads for 3 phase openers
- No on board fuses for increased reliability

PROVEN GRIFCO FEATURES:

- Automatic Chain Engage Mechanism (ACEM)
- Reliable self locking gear reduction
- Three phase and single phase motor options
- Low voltage wall controller for programming and door operation
- Additional functionality through optional plug-in expansion boards
- Push button limit set through controller
- Three limit positions (standard)



THE KIT IS SUPPLIED WITH:

- Automatic Chain Engage Mechanism (ACEM)
- 10B drive chain and sprocket
- Pre fitted 240VAC 3 pin plug (3 phase plug and lead optional)
- Grifco's *eDrive*™ NEW Main Control Board with APE technology
- Low voltage wall controller and 6m plug-in lead
- Motor mounting bracket and fasteners

Serious Power

Serious Reliability

Serious Performance

Get Serious. Get a Grifco

Accessories

Remote control kit CGK844

Upgrade to remote control with 2 x 4 channel hand transmitters, receiver & photo beam, supplied complete with mini receiver card (MRC2).

Access Control

For added security a wireless biometric fingerprint reader or keypad may be added (must be used in conjunction with MRC2 receiver & photo beam).

Interchangeable Controllers

A large range of plug in low voltage controllers are available with key switch operation & key switch isolation.

Photo Beams

A selection of reflective & beam to beam (monitored) photo cells are available to provide added safety and allow for door behaviour modification (pulse to close).

Safety Reversing Edge

Airwave safety edge kit to detect obstruction on closing.

MinEB

Mini expansion board to add an array of features to your MCB.

- Quick "plug-in" installation
- Comes with one relay, configured by DIP switches
- 24VDC to open or close
- Dock leveller isolation signal
- Door "closed" status
- Signals when not closed
- Signals when running
- 24VDC input to disable opener

EB1 Elite Expansion Board

Elite expansion board for auxiliary device configuration

- Multiple function inputs, complete with 4 relays
- Features Elite expansion board, cradle and high lid only
- For full car park logic upgrade kit see E21D41

E21D41 Elite Logic Upgrade Kit (Recommended for carpark use)

- Simple "plug-in" auto & auto/manual modes
- Auto close with user settable delay (0 – 300 seconds)
- Trigger input with variable door action sequences
- Connection to industry standard 6 pin radio receiver cards
- Variable obstruction behaviour settings
- Independent radio card response actions
- 4 status relays to allow connection to external devices
- Emergency Services Open and Close inputs
- Suits all voltages

Mounting & Transmission

A selection of platewheels, sprockets, drive chain & mounting plates provide the necessary components for opener / door connection.

Battery Back Up

Quality UPS systems are available for both single phase and 3 phase openers.

Options

This opener is available with the following options

- Torque limiting clutch
- Waterproof to IP55
- Easy Fit Sprocket Kit

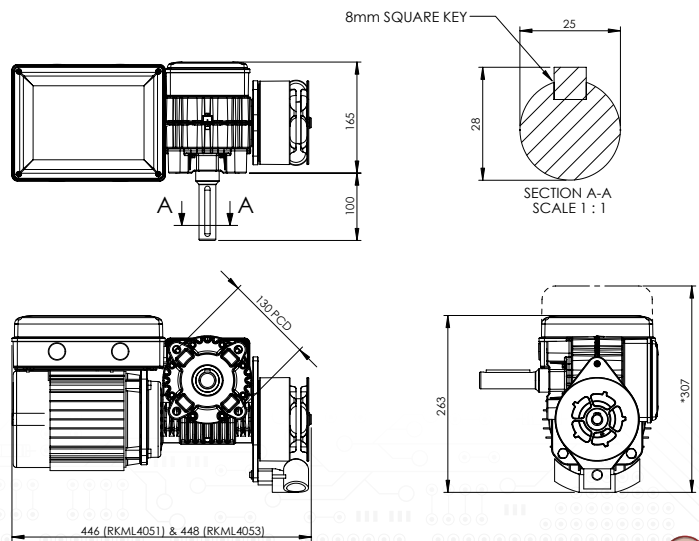
* Optional Easy Fit Sprocket Kit (mounting plate, sprocket and chain not included)



Specifications

Order Build	Rated Load (Nm)	HP	Duty Rating (%)	Phase	Door Size (m ²)*	kW	Amp
RKML4051	67	0.5	10	1	28	0.37	3.4
RKML4053	53	0.5	10	3	28	0.37	1.55

*Door size is stated as a guide only. Specifications subject to change without notification.



Australian Made

2 year General Warranty

1 year Motor Warranty