

ZT-BBU24V

Li-Ion Battery Backup Unit Installation and Operating Instructions

CAUTION



LITHIUM ION RECHARGEABLE BATTERIES

FAILURE TO COMPLY WITH THESE SAFETY RECOMMENDATIONS AND LOCAL SAFETY REGULATIONS MAY RESULT IN SERIOUS INJURY, DEATH OR DAMAGE TO PROPERTY.

PLEASE READ CAREFULLY AND ENSURE THAT ALL SAFETY RECOMMENDATIONS AND REGULATIONS ARE CONSIDERED AND ADHERED TO.

The ZT-BBU24V provides an alternative power source for your garage door opener in the event of a power outage. If mains power is lost the garage door opener will draw power from the battery backup system providing peace of mind, security and the convenience you rely on. When mains power returns the battery backup unit will automatically recharge. A fully charged BBU supplies 24V DC to the opener for two or three days of normal operation during a power outage. Under normal usage the batteries should last between two to three years.

Important Safety Information:



Like any other electrical appliance or machine, it is important to familiarise yourself with the safety guidelines which are applicable to automated garage doors. They can be found in your garage door and opener installation and operating instructions.

The following summary highlights some of the important safety guidelines for the ZT-BBU24V:


- ✓ Do not short the output of batteries. Serious personal injury and/or property damage can result from failure to adhere to this warning.
- ✓ Do not allow any metal objects to make contact with the positive and negative wires. Do not allow both wires to make contact with each other. Failure to adhere to this warning may cause damage to the device and may result in sparks or even explosion.
- ✓ Do not install the battery unit near sprinkler systems or in any area exposed to the weather.
- ✓ Do not immerse in water or spray directly with water.
- ✓ Disconnect the mains power to your opener prior to installing this unit and when making any repairs.
- ✓ Disconnect device during extended periods of time away to maximise battery life and prevent damage.
- ✓ Regularly check the device and have your garage door system maintained and serviced as per the manufacturers' instructions.
- ✓ Do not attempt to open sealed unit to access batteries.
- ✓ Dispose of the device as recommended by the appropriate authority when it has reached the end of its lifecycle.

PLEASE RETAIN YOUR RECEIPT FOR WARRANTY PURPOSES.

Refer to garage door opener manual for details on accessory warranty.

Getting Started

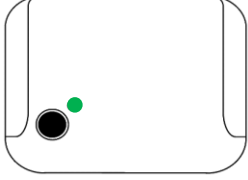
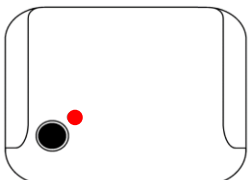
Kit Inclusions



Item	Qty
Battery Backup Unit	1
Wiring/plug	1
Screws	2

Compatible garage door openers:

- Steel-Line SD800
- Steel-Line SD1200
- Sprint 800SD
- Sprint 1200SD

LED Light Status	
	<ul style="list-style-type: none"> • Charging • Standby mode
	<ul style="list-style-type: none"> • Low power • Fault

Installation – Sectional Garage Door Opener

Unit can be mounted direct to side of the garage door opener powerhead chassis, wall or ceiling. Ensure the installation location is within reach of the BBU wiring/plug.

WARNING: Disconnect mains power from the powerhead before proceeding.

1. Slide out the mounting tabs on the rear of the BBU, see Figure 1.
2. If mounting direct to the powerhead use the screws provided and fix into the side of the powerhead. Keep screws clear of the opener power cord, see Figure 2.
3. When mounting to the wall or ceiling ensure appropriate screws and anchors (if required) are used.
4. Connect the two exposed wires to the terminals on top of the powerhead. Insert the **black wire** into the COM terminal and the **red wire** into the +24V DC terminal, see Figure 3.
5. Plug the wire into the socket on the base of the BBU. The opener may now be active, even when the mains power is switched off (due to residual charge in the batteries).
6. Reconnect the mains power to the opener and use as normal.

NOTE: The BBU may take up to 8 hours to reach full charge after initial installation.

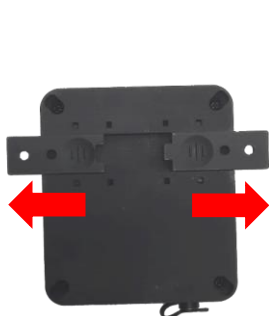


Figure 1

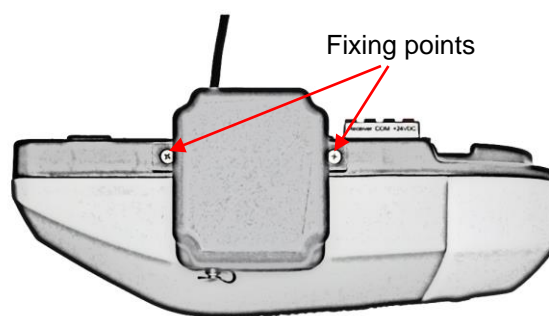


Figure 2



Figure 3